

AC Inlet

ATELRL35T03

AL10Q26B10P

DC OUTPUT

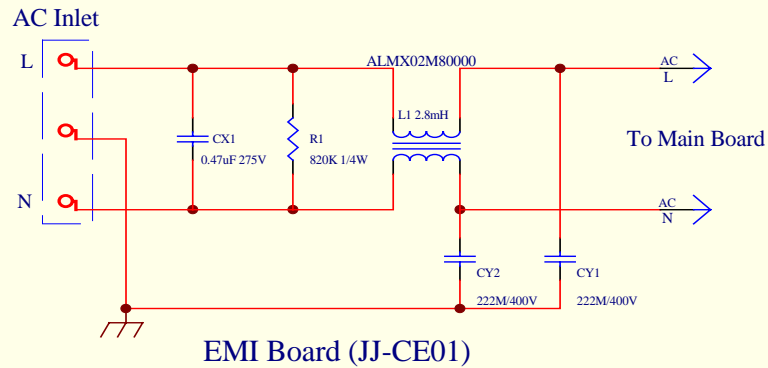
ATEEL19T8P2

ATEEL19T7P2

IC1 DBL494

APPROVED BY
CHECKED BY

Title		JJ-250PP	
Size	Number		Revision
A3	TS-A202		1.2
Date	27-Jan-2004	Sheet of	1 of 3
File	Jjlgg.dbb	Drawn By	LIQING



EMI Board (JJ-CE01)

APPROVED BY

CHECKED BY

Title				JJ-250PP EMI Board			
Size		Number		Revision			
A4		TS-CE05		1.1			
Date:				27-Jan-2004		Sheet of	
File:				F:\lqjg.dtb		2 of 2	
				Drawn By:		Hua Dong	